



268  
HANDHELD CASES

292  
UNIVERSAL  
ENCLOSURES

318  
HEAVY DUTY  
AND ELECTRICAL  
ENCLOSURES

342  
DESKTOP AND  
INSTRUMENT  
CASES

348  
DEVELOPMENT  
BOARD  
ENCLOSURES

367  
ROOM SENSOR  
ENCLOSURES

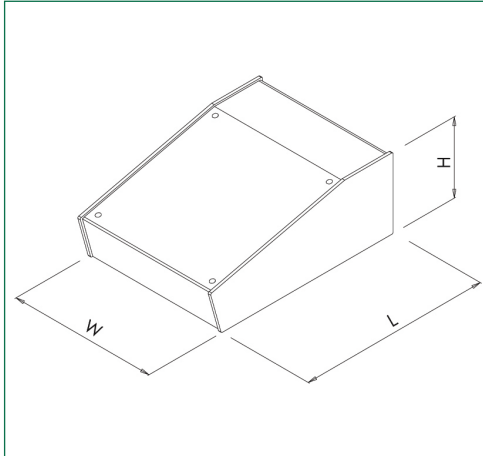
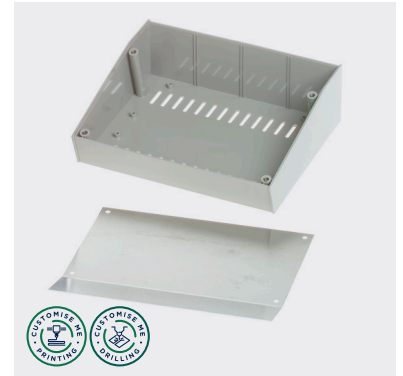
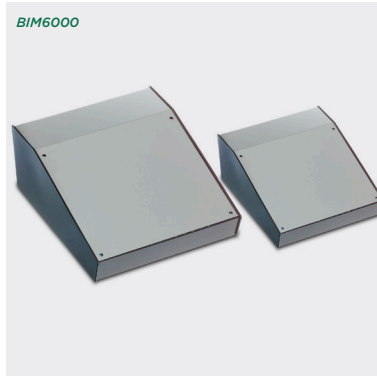
370  
CUSTOM SIZED  
ENCLOSURES

# 6000 series venti cases

## Product overview

ABS desk cases available with inclined recessed aluminium front panels.

- Moulded in high impact ABS
- Aluminium lid mounted by 4x M3 screws
- Polished finish
- PCB pillars in base
- Integral PCB slots in front and rear walls
- Ventilation slots in base



### SPECIFICATION

Materials	Base high impact ABS as standard, UL94-V0 ABS to order Panels 1mm thick aluminium
Operating temperature	Resistant to temperatures between -5°C to 80°C
Standard colours	Base grey and black as standard, white to order Aluminium panel grey
Standard unit includes	Base and aluminium panel 4x M3 machine screws 4x rubber feet

BLACK	GREY	LENGTH	WIDTH	HEIGHT
BIM6005-BLK/PG	BIM6005-GY/PG	143mm	105mm	55mm
BIM6006-BLK/PG	BIM6006-GY/PG	143mm	170mm	55mm
BIM6007-BLK/PG	BIM6007-GY/PG	214mm	170mm	82mm

## KEY FEATURES

High impact ABS | Aluminium front panels | PCB pillars



PLASTIC ENCLOSURES